

# Bend and Joint

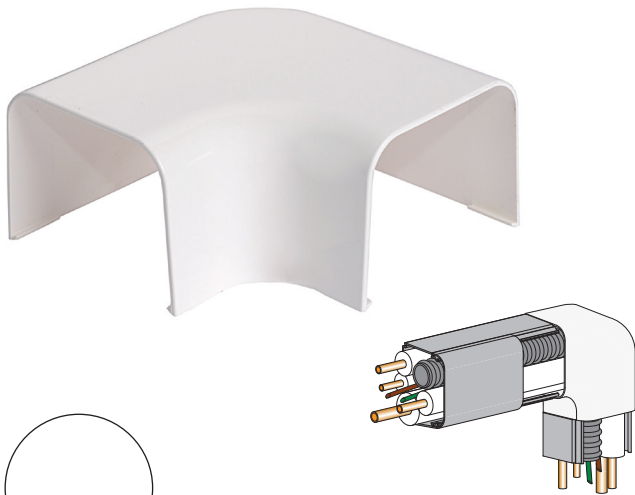
## KEY FEATURES

- Colours: Aspen Cream, Aspen White & Aspen Black
- Raw material: Rigid, self-extinguishing, shockproof, UV ray stabilised PVC



## 90° flat bend

For the connection of two ducts at right angle, when one is positioned horizontally and the other vertically.



**ASPEN WHITE #9003 SIZING OPTIONS**

Part No.	Width (mm)	Height (mm)
B3137	80	60

**ASPEN CREAM #9010 SIZING OPTIONS**

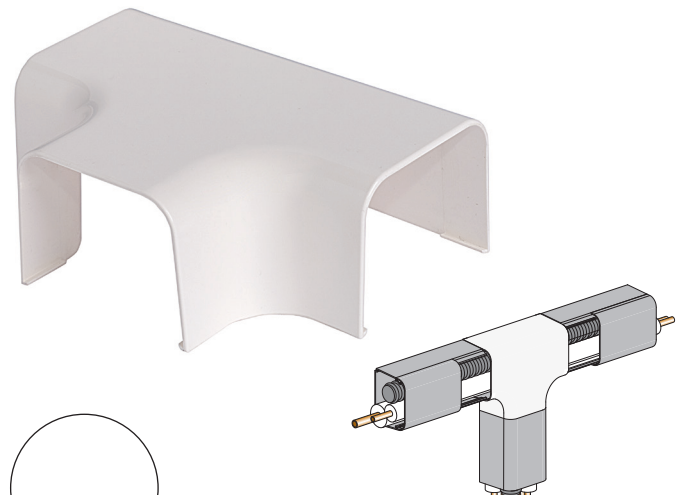
Part No.	Width (mm)	Height (mm)
B3407	65	50
B3107	80	60
B3177	90	65
B3206	125	75

**ASPEN BLACK SIZING OPTIONS**

Part No.	Width (mm)	Height (mm)
B3157	80	60
B3256	125	75

## T joint

In combination with a reducer allows to distribute hoses and cables in multiple installations.



**ASPEN WHITE #9003 SIZING OPTIONS**

Part No.	Width (mm)	Height (mm)
B3141	80	60

**ASPEN CREAM #9010 SIZING OPTIONS**

Part No.	Width (mm)	Height (mm)
B3111	80	60
B3179	90	65
B3208	125	75

**ASPEN BLACK SIZING OPTIONS**

Part No.	Width (mm)	Height (mm)
B3159	80	60
B3258	125	75

For further details please refer to our website [aspenpumps.com](http://aspenpumps.com)

Information correct at time of going to press. Colours are representative.