



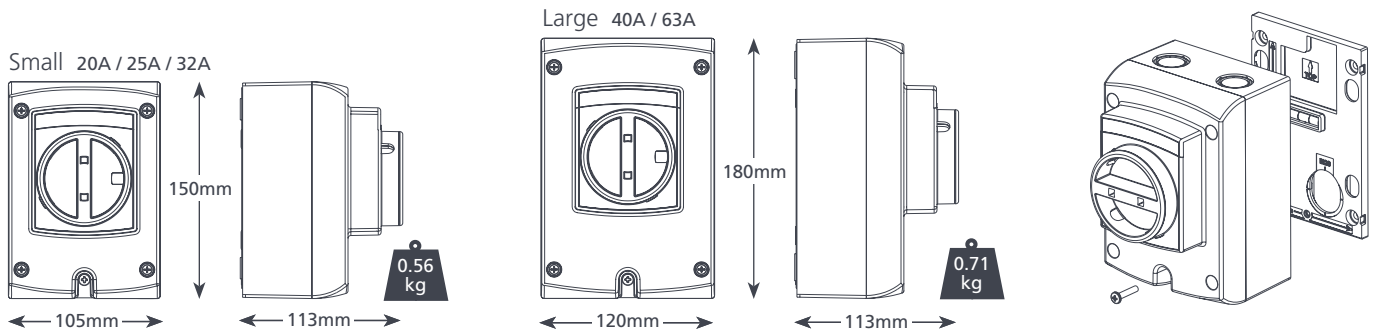
isolator

Designed with the installer in mind. Large range of models and separate back plate for installation ease.



KEY FEATURES

- Separate back plate with spirit level for ease of installation
- 9 models available
- Surface mountable (with and without back plate)
- Removable switch for ease of wiring
- IP66 rated for interior and exterior use
- Lockable 'OFF' position (up to 2 padlocks) and 'ON' position (1 padlock), to prevent unauthorised access
- Fully compliant to IEC 60947-3
- 5 cable entry knock-outs



SPECIFICATIONS

Rated	230V / 415V AC
IP Protection	IP66

OPTIONS

Description	Part No.
3 pole 20A (Small)	AX6101/2
3 pole 32A (Small)	AX6102/2
3 pole 40A (Large)	AX6103/2
3 pole 63A (Large)	AX6104/2
4 pole 20A (Small)	AX6001/2
4 pole 25A (Small)	AX6005/2
4 pole 32A (Small)	AX6002/2
4 pole 40A (Large)	AX6003/2
4 pole 63A (Large)	AX6004/2

IN THE BOX

- Isolator • Back plate with spirit level
- M4 x 20mm screw • Install manual
- 2 x M20 glands & nuts (Small Isolator)
- 2 x M25 glands & nuts (Large Isolator)



For further details please refer to our website aspenspumps.com/xtra

Information correct at time of going to press.



aspenspumps.com/xtra



+44 (0)1323 848842



xtra@aspenspumps.com

the installer's choice