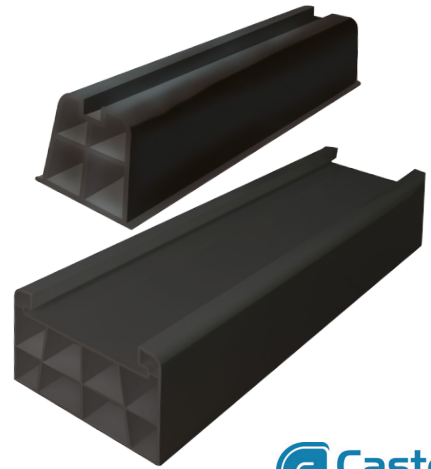


EN

condensing unit block

Increases the ground clearance of heat pumps & air conditioning units by fitting on the blocks. Further height can be achieved by using Riser Blocks.



KEY FEATURES

- Rises your outdoor unit to 17cm
- Fitted with anti-vibration stripes to dampen sound and vibration
- UV-resitant PVC
- Perfect for condenser units

CONDENSER CONNECTOR BLOCK SIZING OPTIONS

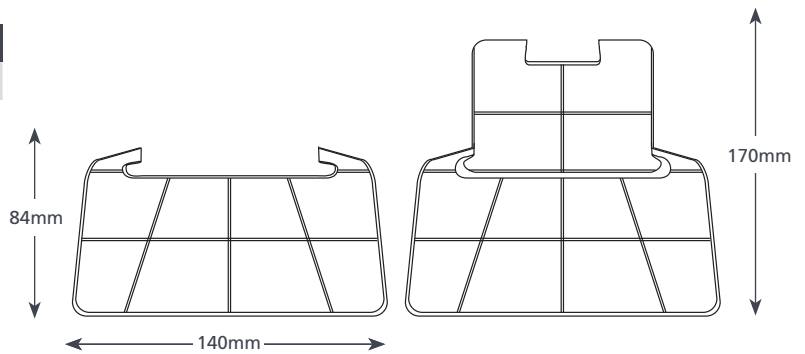
Description	Dimensions	Part No.	Pack Qty
450mm Black	105 X 86mm	B6658	12
1000mm Black	105 X 86mm	B6659	2


SPECIFICATIONS

Materials of construction: UV-resistant PVC

OPTIONAL BASE RISER BLOCK SIZING OPTIONS

Description	Dimensions	Part No.	Pack Qty
450mm Black	140 x 84mm	B6526	8
1000mm Black	140 x 84mm	B6528	2



 For further details please refer to our website aspenspumps.com/xtra

Information correct at time of going to press.